



12 - 119 mm

FEMOX

Powered by **BERA**[®]

SpiraPave[®]

Paver & Bearer Support

BERA[®]

Introduction

SpiraPave® made of 100% recycled polypropylene eliminates need for bedding sand and/or of brick or metal piers for installation of raised pavers or decking. It eliminates efflorescence and prevents algae growth on pavers, facilitates rapid surface drainage and easy accessibility to waterproofing membranes and concealed services. It also provides a ventilation break that reduces heat and sound transmission to habitable space below.

SpiraPave® is a new generation pedestal for paver and bearer support consisting of top and bottom components paired to create pedestals of different heights, each individually able to step up or down in 1mm increments for precise height adjustments. The pedestals collectively allow uninterrupted progressive height increase from 12 mm to 119 mm.

SpiraPave® may be used with a combination of one or more accessories including a slope corrector which can be placed either on top or at the bottom of the pedestal to enable compensation up to 5%. Slope corrector at the bottom enables the pedestal to be perpendicular thus maintaining stability and compressive strength.

SpiraPave® low minimum height of 12 mm makes it ideal for installations where conventional height adjustable pedestals are generally too high to be used.

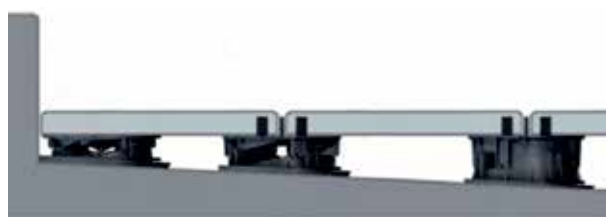


Benefits

- Minimum height of 12 mm for discrete adjustments
- Precise 1 mm increments from 12 - 119 mm
- Slope corrector 0-5% (SC) at the bottom or top allows pedestal to be perfectly upright, as low as 17 mm
- Bearer holder (BH) suitable for bearers from 35-50 mm and 50-80 mm quickly and easily installed
- Mini base plate for secure fixation to the pedestal
- High compressive strength of 20 kN
- Made of 100% recycled polypropylene and fully recyclable
- Resistant to moulds, algae, alkali and bitumen
- Perfect drainage and ventilation



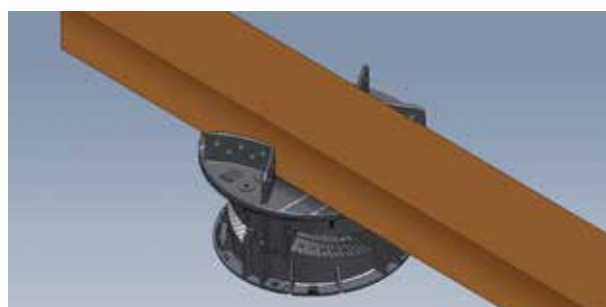
Height only 12 mm



Slope Corrector (SC)



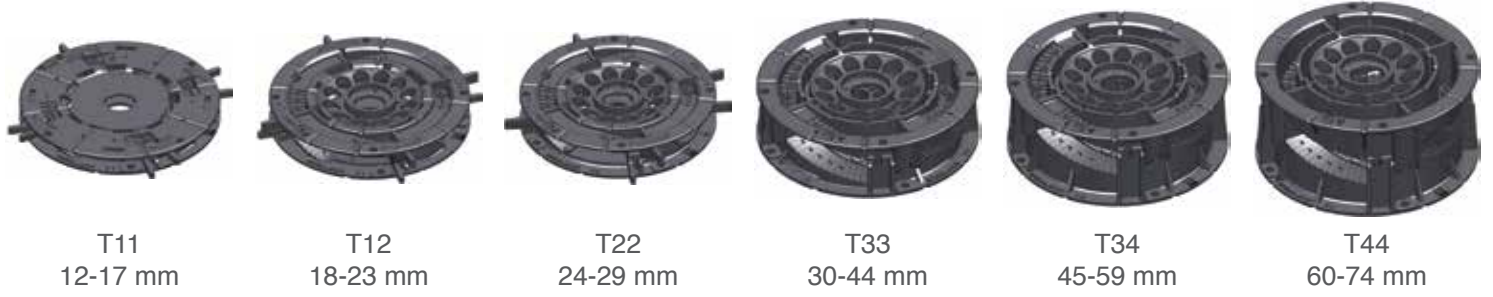
Mini Base Plate



Bearer Holder (BH)

Range of products

Pedestals



T11
12-17 mm

T12
18-23 mm

T22
24-29 mm

T33
30-44 mm

T34
45-59 mm

T44
60-74 mm

Extender



Extender TE45
for T33/T34/T44
Height 45 mm

Accessories



Mini Base Plate



Bearer Holder
(height 5 mm)



Spacer Tab
2/3/4/6/10mm



Slope corrector
0-5%
(height 5mm)



Slope Connector



EPDM Shim
1 mm / 2 mm

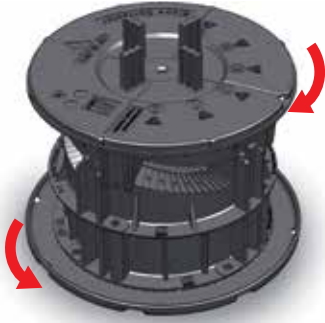


EPDM Endless
(20 m)
1 mm / 2 mm

Overview

Height (mm)	T11	T12	T22	T33	T34	T44
Pedestal only	12-17	18-23	24-29	30-44	45-59	60-74
Slope Corrector (SC) incl.	-	23-28	29-34	35-49	51-65	65-79
Bearer Holder (BH) incl.	17-22	23-28	29-34	35-49	51-65	65-79
SC + BH both included	-	28-33	34-39	40-54	55-69	70-84
Height (mm)	T33 + TE45	T34 + TE45	T44 + TE45	Alternativ VersiJack® Series F3		
Pedestal only	75-89	90-104	105-119		74-117	
Slope Corrector (SC) incl.	80-94	95-109	110-124		79-122	
Bearer Holder (BH) incl.	80-94	95-109	110-124		79-122	
SC + BH both included	85-99	100-114	115-129		84-127	

Easy adjustments



Adjust pedestal to desired height by rotating top and bottom components

Applications

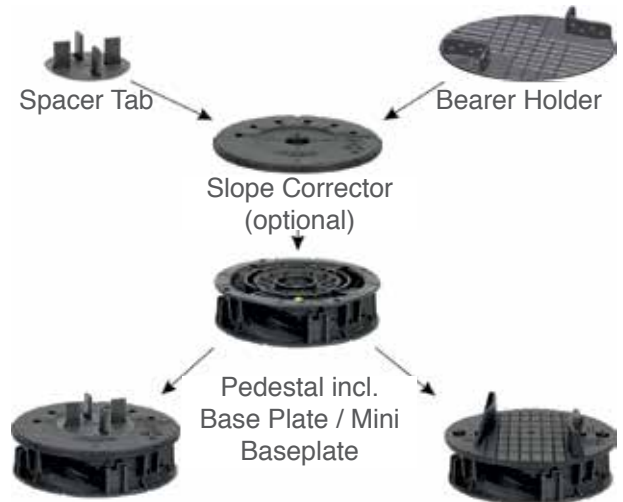
Versatile applications such as:

- Pavers & Decking around pools
- Pavers & Decking for roof terraces or green roofs
- Balconies, patios and residential property
- Urban walkways and plaza decks
- Fountain and water feature elevated areas



SpiraPave® for stone pavers

Combination



Technical Specifications

Material	100% Recycled polypropylene	
Colour	Black	
Slope Correction	0 - 5% @ 1% Step	
Max Compressive Load	~20 kN	
Diameter	Pedestal	150 mm
	Slope corrector	170 mm
Spacer Tab	Height	25 mm
	Thickness	2/3*/4/6/10 mm

* 3 mm also in height 15 mm available



SpiraPave® for timber deck



SpiraPave® for wood panels



SpiraPave® for water features

Wall Spacer

The Wall Spacer is designed for use on pedestals to provide a permanent compressible buffer at the edge of installations where pavers meet the wall or upstand to prevent damage to the waterproofing membrane and facilitate drainage.

Wall Spacer

It is used on pedestals supporting concrete, stone, tile and timber pavers. Its function is to space the pavers away from the wall or upstand to allow for expansion and contraction as well as paver movement due to traffic.

The Wall Spacer has a compressible buffer which does not protrude above the finished paved surface when used with pavers over 12mm thick.

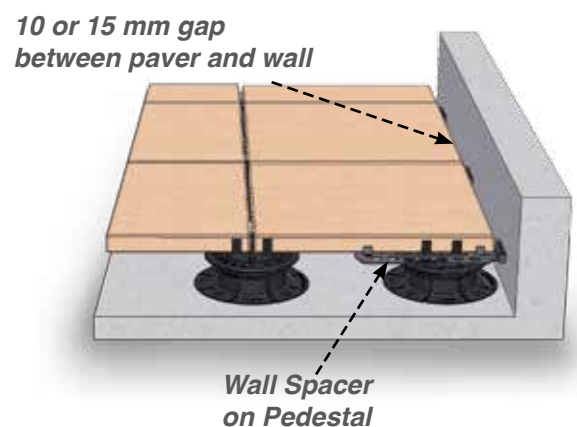
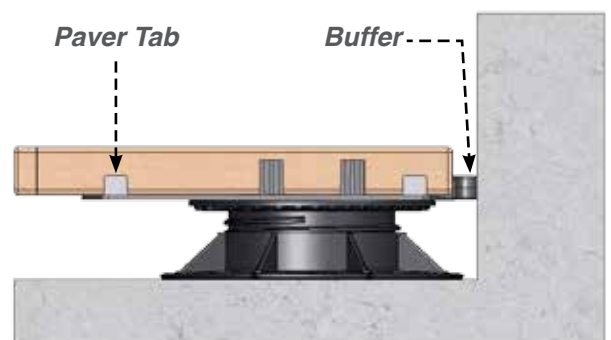
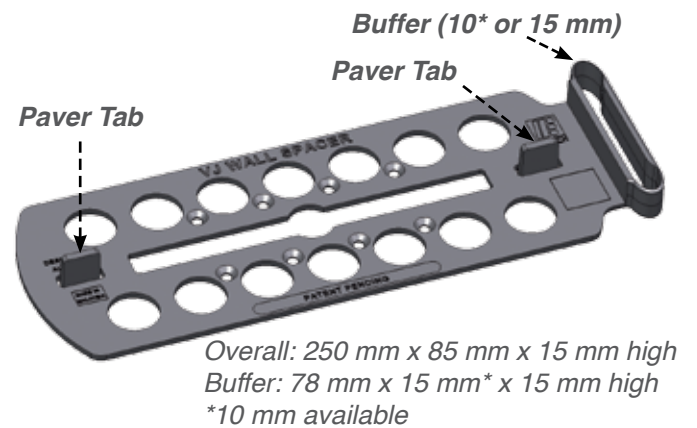
Twin paver tabs on the Wall Spacer maintain a constant gap between pavers and keep them centred on the pedestal. The paver tabs are removable when used in corners.

Wall Spacers are quick to install by placing them over the pedestals when positioning the pavers. They do not dislodge due to expansion or contraction, unlike clip-on spacers.

Made from recycled polypropylene and coloured black, they complement VersiJack® and SpiraPave® pedestals to provide the perfect solution for raised paver installation.

Advantages:

- Fits VersiJack® & SpiraPave® as well as other pedestals.
- Suitable for all types of pavers.
- Maintains gaps at the perimeter and between pavers.
- Buffer will not dislodge due to shrinkage.
- Buffer is flexible with rounded edges to prevent damage to the waterproofing membrane.
- Buffer is not visible above paver surface.
- Cost-effective and simple installation.
- Environmentally-friendly.





BERA® is the trademark of BERA B.V. of The Netherlands, a company which develops stabilization systems, eco systems and prestigious outdoor living concepts.

With the company's historical roots & wealth of know-how in landscaping and architectural fields, they create innovative and environmentally sustainable solutions, supplied throughout Europe, the Middle-East, South Africa and S-E Asia regions.

Contact:

BERA B.V. (The Netherlands)
t. +31 33 257 0302
e. info@bera-bv.com

www.bera-bv.com

