



37 - 1016 mm

**FEMOX**

Powered by **BERA**<sup>®</sup>

**VersiJack**<sup>®</sup>

**Paver & Bearer Support**

**BERA**<sup>®</sup>

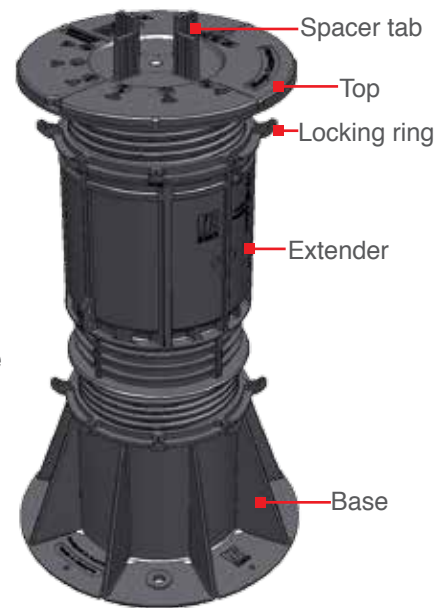
## Introduction

VersiJack® made of 100% recycled polypropylene eliminates need for bedding sand and/or of brick or metal piers for installation of raised pavers or decking. It eliminates efflorescence and prevents algae growth on pavers, facilitates rapid surface drainage and easy accessibility to waterproofing membranes and concealed services. It also provides a ventilation break that reduces heat and sound transmission to habitable space below.

VersiJack® is a new generation pedestal for paver and bearer support consisting of wide range of components to cater to create different heights requirements and for precise height adjustments. The pedestals collectively allow uninterrupted progressive height increase from 37 mm to 1016 mm.

VersiJack® may be used with a combination of one or more accessories including a slope corrector which can be placed either on top or at the bottom of the pedestal to enable compensation up to 5%. Slope corrector at the bottom enables the pedestal to be perpendicular thus maintaining stability and compressive strength.

VersiJack® basic pedestal height can be increased to above 1000 mm using only 3 extenders, thus providing significant cost savings for pedestal heights above 500 mm.

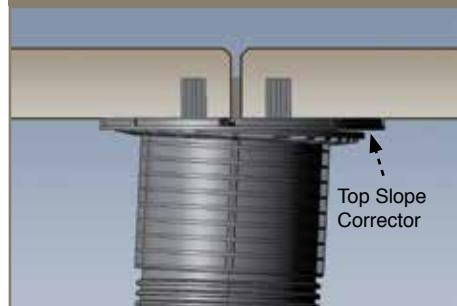


## Benefits

- Maximum height of 1016 mm with only 3 extenders
- Precise increments from 37 - 1016 mm
- Slope corrector (SC) at the bottom 0-5% or top 0-5% pedestal to be perfectly upright
- Bearer holder (BH) suitable for bearers from 35-50 mm and 50-80 mm quickly and easily installed
- Locking ring for fixation of adjusted height
- High compressive strength of up to 15 kN
- Made of 100% recycled polypropylene and fully recyclable
- Resistant to moulds, algae, alkali and bitumen
- Perfect drainage and ventilation

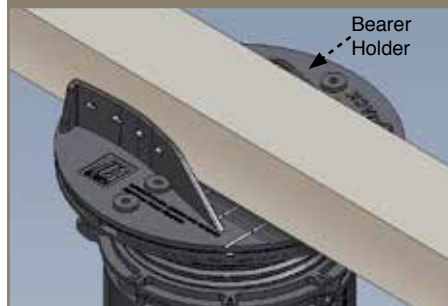
### Top Slope Corrector

Top and bottom slope correctors allow compensation of up to 5% keeping pedestals upright on a sloping surface, minimising possibility of toppling.



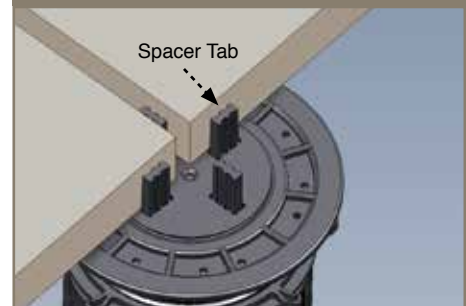
### Bearer Holder

Bearer holders, a useful accessory, keep bearers firmly in place on pedestal tops. Eliminates need for concrete or metal piers as support for decking installation.



### Spacer Tab

VersiJack has spacer tabs of various thickness (2mm - 10mm) to cater to the different gap size between pavers. They are easily slotted onto the pedestal top.



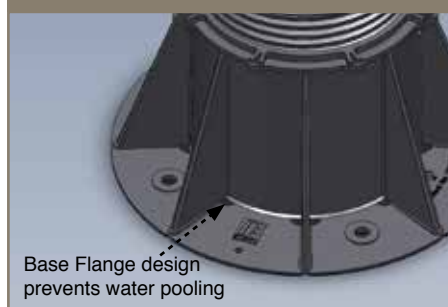
### Locking Ring

Locking rings ensure that the individual pedestal are secured at desired heights. They are easily removed when not required.



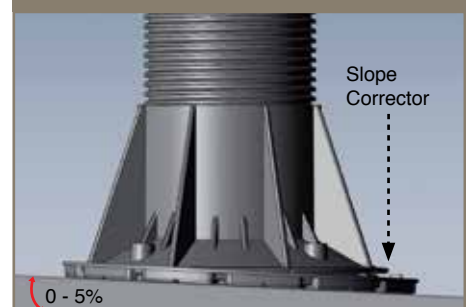
### Non-Water Retention

The base design prevents water pooling and breeding of pests at the base flange especially when installed on an incline.



### Bottom Slope Corrector

VersiJack has optional slope correctors at the top or bottom of the pedestal. The Bottom Slope Corrector allows the pedestal to remain upright.



## Range of products

### Pedestals

11 Models  
8 Models

VJ-F1 till F11  
VJ-C4 till C11

Height 37-1016 mm  
Height 125-1024 mm

### Accessories



VJ-125 Base with Slope Correction



Top Slope Correction



Bearer Holder



2 mm



3 mm



4 mm  
Spacer Tabs



6 mm



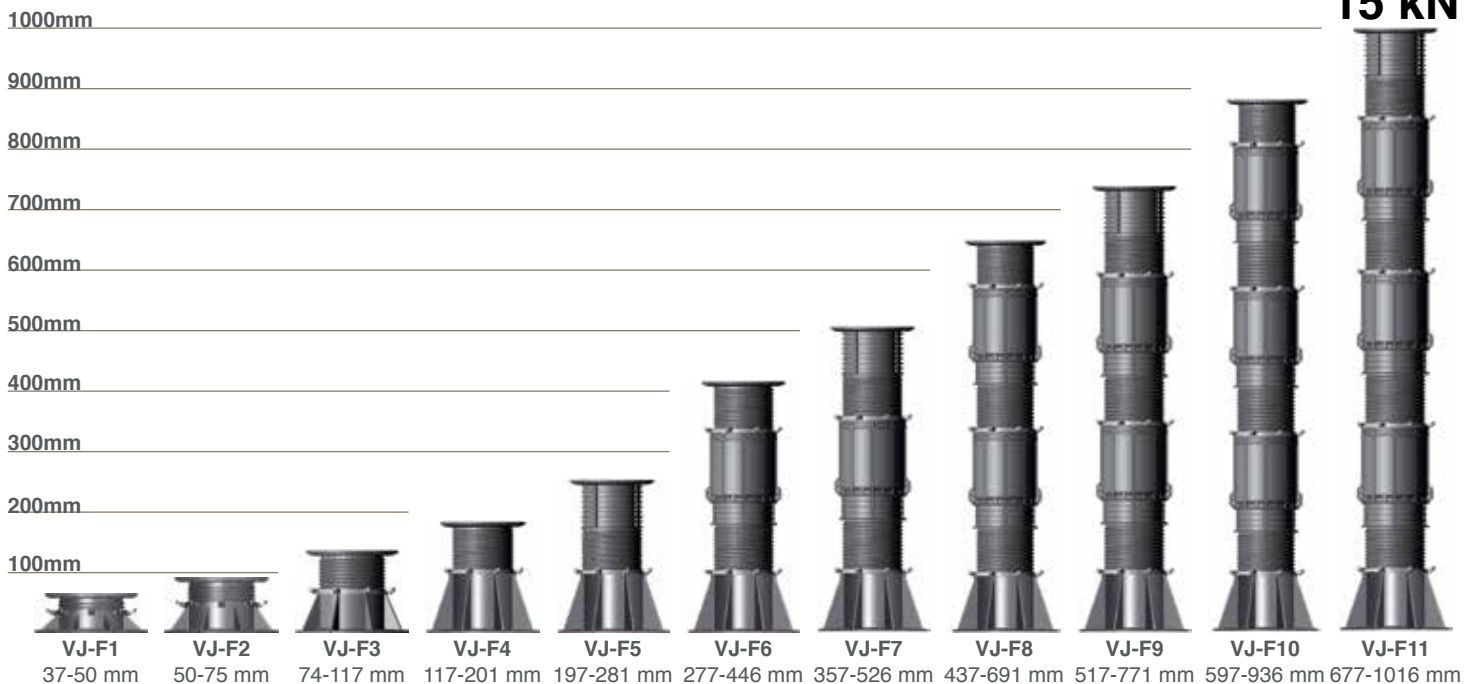
10 mm



Turning tool adapter is available for fast and easy adjustment of pedestal with or without extender



## Overview

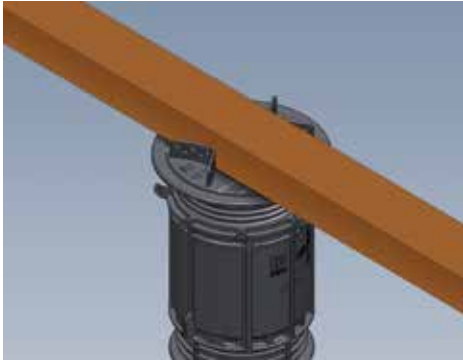


With Slope Correction VJ-120SC for Base\* (VJ-125B)

Model	Height (mm)
VJ-C4	137-221
VJ-C5	217-301
VJ-C6	297-466
VJ-C7	377-546
VJ-C8	457-711
VJ-C9	537-791
VJ-C10	617-956
VJ-C11	697-1036



## Easy installations



Only one bearer holder for bearer of 35-50 mm and 50-80 mm



2 - 10 mm

## Applications

Versatile applications such as:

- Pavers & Decking around pools
- Pavers & Decking for roof terraces or green roofs
- Balconies, patios and residential property
- Urban walkways and plaza decks
- Fountain and water feature elevated areas

## Technical Specifications

<b>Material</b>	100% Recycled polypropylene
<b>Colour</b>	Black
<b>Slope Correction</b>	0 - 5% @ 1% Step
<b>Max Compressive Load</b>	~15 kN
<b>Diameter Base</b>	189 mm (VJ-F1/F2/F3) 202 mm (VJ-117B) 228 mm (VJ-125B)
<b>Spacer Tab</b>	<b>Height</b> 25 mm <b>Thickness</b> 2/3*/4/6/10 mm

\* 3 mm also in height 15 mm available



## Wall Spacer

The Wall Spacer is designed for use on pedestals to provide a permanent compressible buffer at the edge of installations where pavers meet the wall or upstand to prevent damage to the waterproofing membrane and facilitate drainage.

## Wall Spacer

It is used on pedestals supporting concrete, stone, tile and timber pavers. Its function is to space the pavers away from the wall or upstand to allow for expansion and contraction as well as paver movement due to traffic.

The Wall Spacer has a compressible buffer which does not protrude above the finished paved surface when used with pavers over 12mm thick.

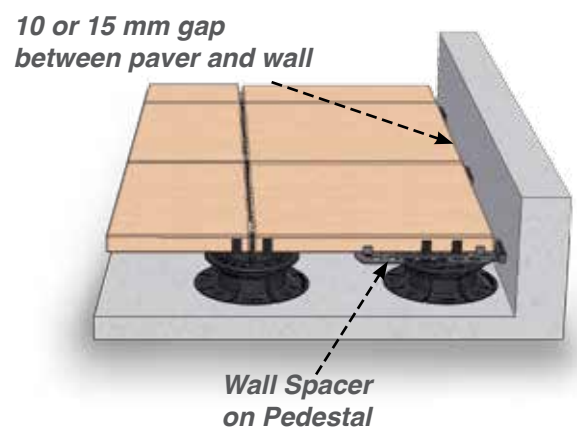
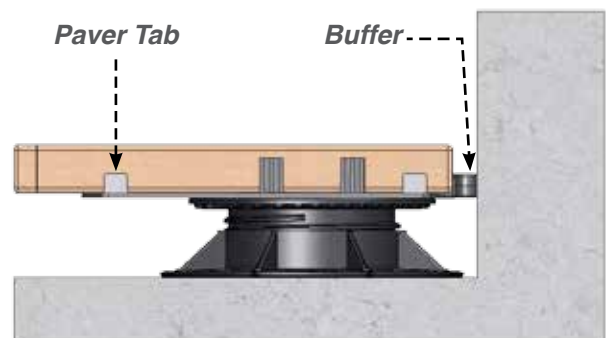
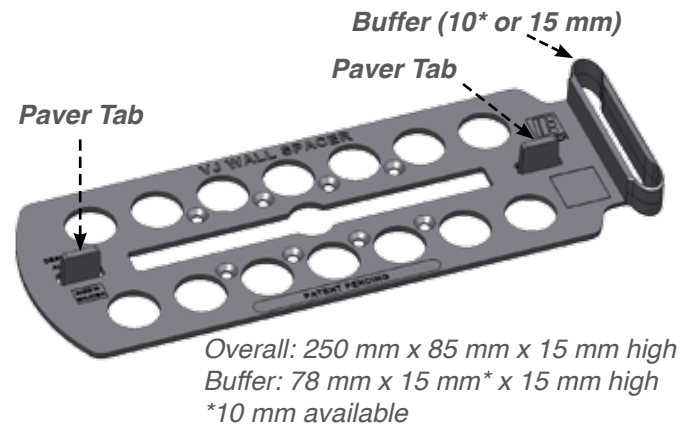
Twin paver tabs on the Wall Spacer maintain a constant gap between pavers and keep them centred on the pedestal. The paver tabs are removable when used in corners.

Wall Spacers are quick to install by placing them over the pedestals when positioning the pavers. They do not dislodge due to expansion or contraction, unlike clip-on spacers.

Made from recycled polypropylene and coloured black, they complement VersiJack® and SpiraPave® pedestals to provide the perfect solution for raised paver installation.

## Advantages:

- Fits VersiJack® & SpiraPave® as well as other pedestals.
- Suitable for all types of pavers.
- Maintains gaps at the perimeter and between pavers.
- Buffer will not dislodge due to shrinkage.
- Buffer is flexible with rounded edges to prevent damage to the waterproofing membrane.
- Buffer is not visible above paver surface.
- Cost-effective and simple installation.
- Environmentally-friendly.





**B**ERA® is the trademark of BERA B.V. of The Netherlands, a company which develops stabilization systems, eco systems and prestigious outdoor living concepts.

With the company's historical roots & wealth of know-how in landscaping and architectural fields, they create innovative and environmentally sustainable solutions, supplied throughout Europe, the Middle-East, South Africa and S-E Asia regions.

Contact:

BERA B.V. (The Netherlands)  
t. +31 33 257 0302  
e. info@bera-bv.com

[www.bera-bv.com](http://www.bera-bv.com)

