



24 - 105 mm

FEMOX

Powered by **BERA**[®]

VersiPave[®]

Paver Support

BERA[®]

Introduction

VersiPave® made of 100% recycled polypropylene eliminates need for bedding sand and/or of brick or metal piers for installation of raised pavers with inconsistent. It eliminates efflorescence and prevents algae growth on pavers, facilitates rapid surface drainage and easy accessibility to waterproofing membranes and concealed services. It also provides a ventilation break that reduces heat and sound transmission to habitable space below.

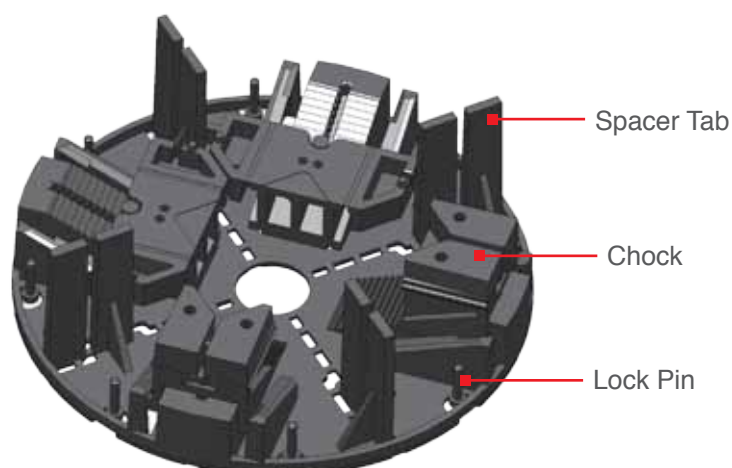
VersiPave® is a new generation pedestal for paver and bearer support consisting of top component paired with extenders to create pedestals of different heights, each individually able to step up or down in 1mm increments for precise height adjustments. The pedestals collectively allow uninterrupted progressive height increase from 24 mm to 105 mm.

VersiPave® unique features is i.e. the ability to be separated into halves or quarters enabling easy and fast pavement along wall edges and also around or into corners. SpiraPave also comes with adjustable chocks enabling compensation in thickness of individual pavers.



Benefits

- Minimum height of 24 mm for discrete adjustments
- Precise 1 mm increments from 24 - 105 mm
- Half and quarter separation for wall and corner solutions
- High compressive strength of 25 kN
- Made of 100% recycled polypropylene and fully recyclable
- Reusable, suitable for temporary paving or retrofitting
- Resistant to moulds, algae, alkali and bitumen
- Perfect drainage and ventilation



Range of products

Pedestals



VP-24P
24-45 mm

Accessories



VP-20E Extender
20 mm

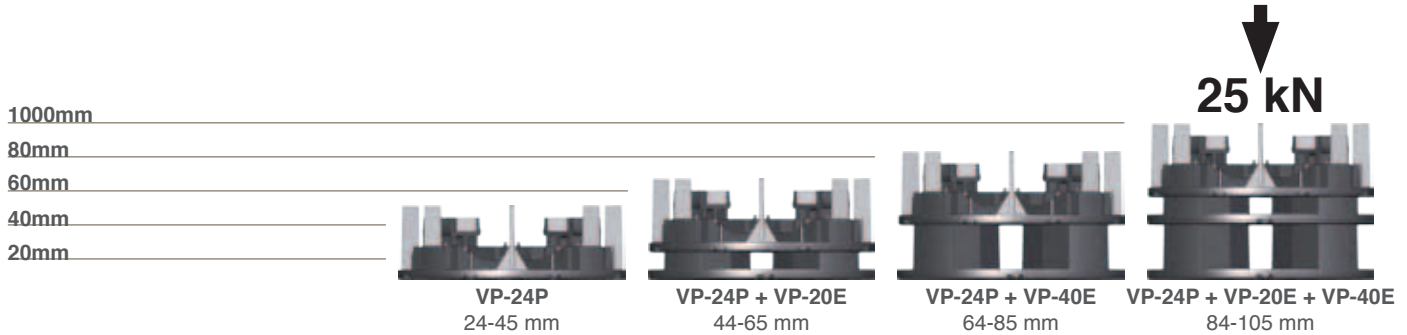


VP-40E Extender
40 mm



Joiner

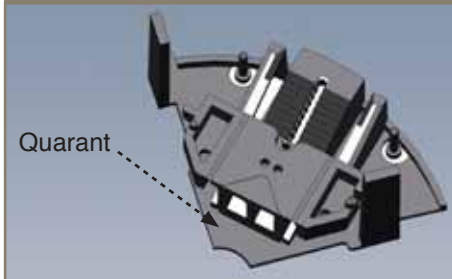
Overview



Easy adjustments

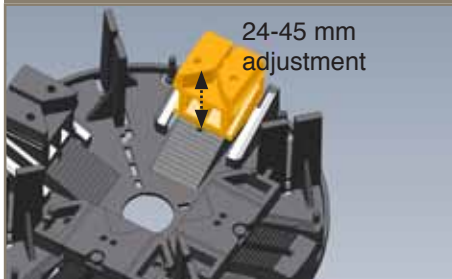
Sectioned Design

VersiPave and Extenders can be used in sections along edges and corners.



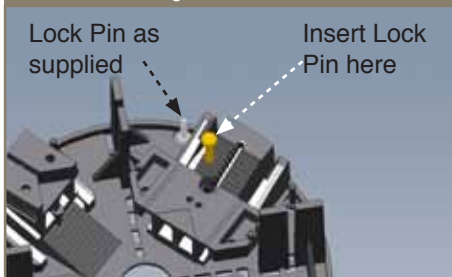
Height Adjustments

Allows height adjustments from 24mm to 45mm in 1mm increments.



Lock Pins

Lock Pins prevent accidental movement of chocks after height is set.



Technical Specifications

Material	100% Recycled polypropylene
Colour	Black
Height Range	24 to 105 mm
Spacer	4 mm (gap between pavers)
Base Diameter	162 mm
Compressive Strength¹	25 kN
Marginal Adjustments	1 mm
Biological, chemical resistance	Resistant to moulds and algae, oils, acids, alcais and bitumen

varies with different combinations





BERA® is the trademark of BERA B.V. of The Netherlands, a company which develops stabilization systems, eco systems and prestigious outdoor living concepts.

With the company's historical roots & wealth of know-how in landscaping and architectural fields, they create innovative and environmentally sustainable solutions, supplied throughout Europe, the Middle-East, South Africa and S-E Asia regions.

Contact:

BERA B.V. (The Netherlands)
t. +31 33 257 0302
e. info@bera-bv.com

www.bera-bv.com

